



LUCE
SHAPING YOUR LIGHT

MAGNETIC 4

*SOME LIGHTS ARE SMART
WHILE THE OTHERS ARE ONLY LIGHTS.*

MAGNETIC 4

MAGNETIC 4 is a flexible and versatile system that makes a change in the way to manage light.

It consists of an aluminum track and a range of LED spots.

The track is available in various length and colors, it can also be recessed and adapted on site to the desired measure.

The spots are magnetic and can be put on the track in the desired position, without the need of any device.

They are available in three different colors temperature:

warm white, natural white, cool white.

Thanks to the availability of different powers and the DMX controls,

the system MAGNETIC 4 gives the best light for many uses

and offers a wide range of applications as lighting of showcases and shelves in shops,

in jewelries as well as museums, exhibitions and art galleries.

MAGNETIC 4

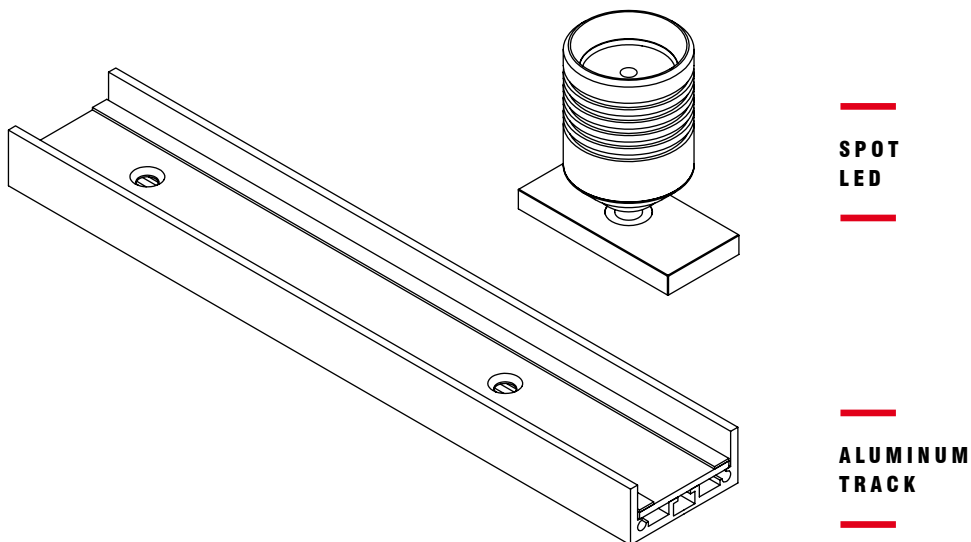


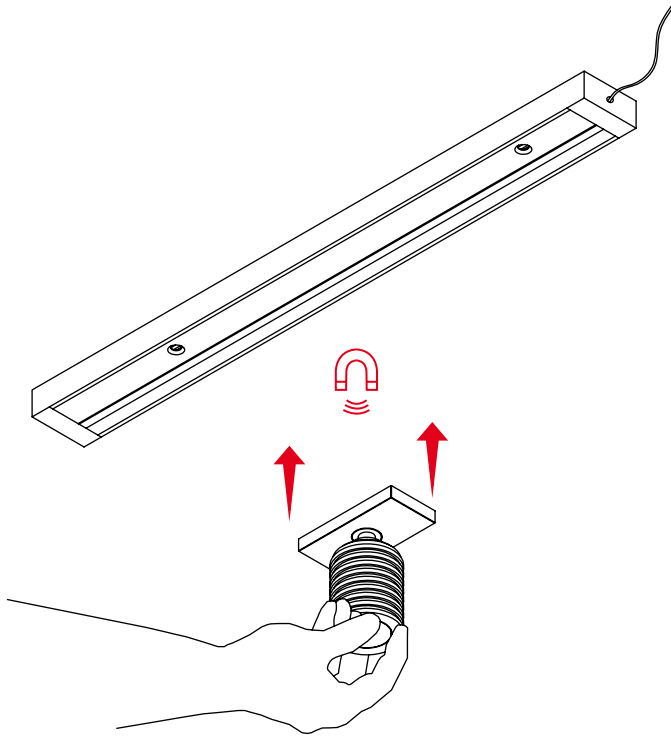
THE SYSTEM IS FLEXIBLE
AND AVAILABLE BY MODULES.

This product line includes a range of products with an easy installation facilitated by a magnetic base.

Magnetic 4 – 24 Volt is the technological evolution of the Magneto IV line thanks to the adoption of the latest generation LED, with a color rendering index >90 .

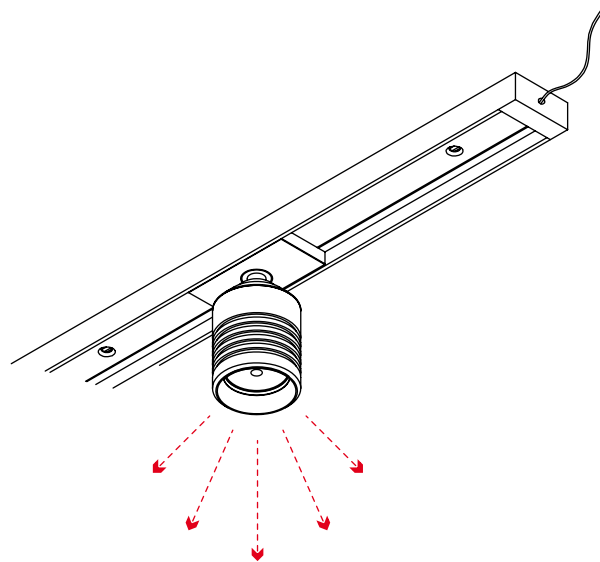
All the spots are focusable and some of them – those with much power – are offered with a dimmer in order to have the desired light intensity.





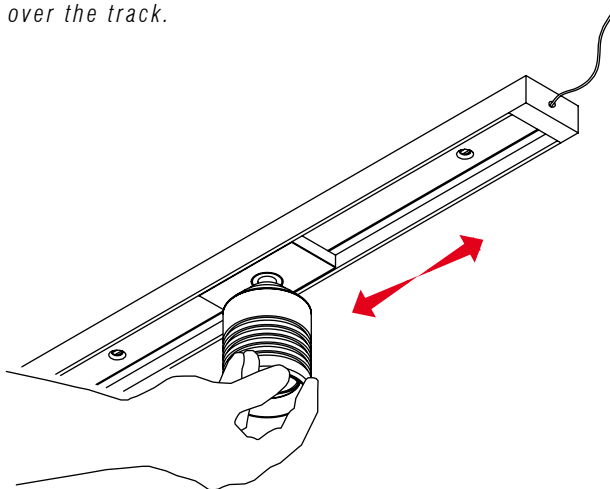
1

First step is to assembly and connect the track.
Then the spots and the LED lights are installed magnetically, without the need of a specific device.



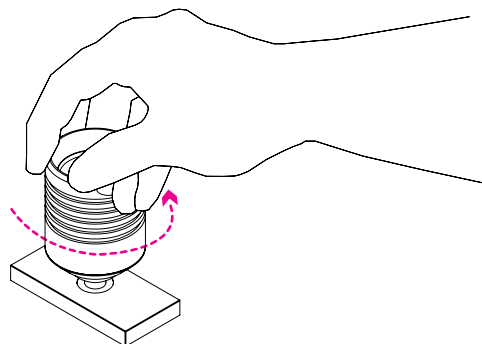
2

The LED turns on as soon as installed on the track and it can be put in the desired position by sliding it over the track.

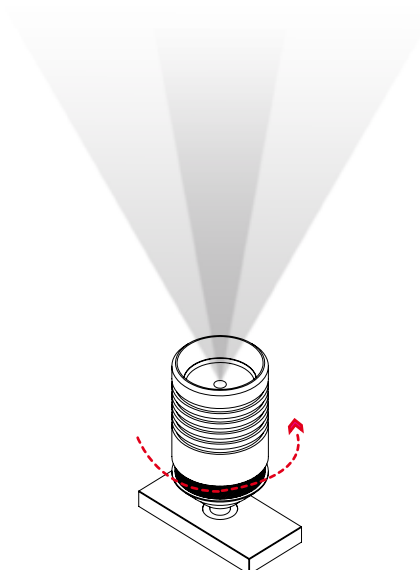


SPOT FOCALIZATION SYSTEM

The spot optics can be changed by a simple rotation of the spot aluminum body.

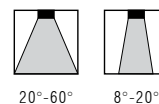


1 Rotate the spot body



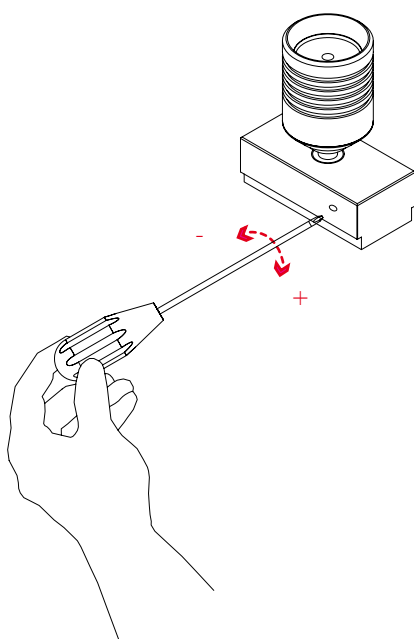
2 Change from wide to narrow beam

Beam available:



SPOT DIMMER SYSTEM

The light intensity can be fine-tuned by a simple rotation of the trimmer that is at the base of the spot.



Fine-tuning of light intensity

0-100%

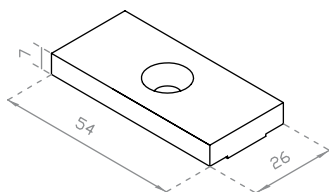


GENEVA ETHNOGRAPHIC MUSEUM (MEG), SWITZERLAND

M4-P-1 \ PUNTO LED - 1W



DIMENSIONS (mm)



GENERAL CHARACTERISTICS

<i>Power absorption</i>	3.5 W
<i>LED Power absorption</i>	2.6 W
<i>Led color temperature</i>	3000K - 4000K - 5000K (2 SDCM) Other CCT are available on demand
<i>Color Rendering Index</i>	CRI > 90
<i>Protection grade</i>	IP40
<i>Fixing</i>	Magnetic
<i>Finishing</i>	Black/natural matte anodized
<i>Ta</i>	-20° ÷ 40° C

ELECTRICAL CHARACTERISTICS

<i>Input voltage</i>	24 VDC
<i>Power supply</i>	Not included
<i>PWM dimmable</i>	YES
<i>Individual dimming</i>	NO
<i>Safety class</i>	III

OPTICAL

<i>Beam</i>	115° (no lens)
<i>Flux luminaireux</i>	250 Lumen (@ CCT 3000K)



115°



CODE

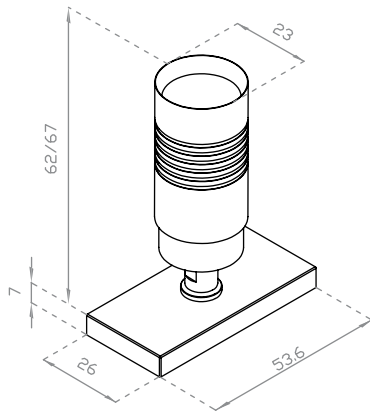
System	Watt	CRI	Type	LED color temperature	Finishing *	Beam
HM4	03 3.5 Watt	9 CRI > 90	PUN	● 300 3000 K ● 400 4000 K ● 500 5000 K	A1 Black anodized A3 Natural anodized	0 115°

* Painted version available on demand

M4-micro-2060 \ SPOT LED - 1W FOCAL 20° - 60°



DIMENSIONS (mm)



GENERAL CHARACTERISTICS

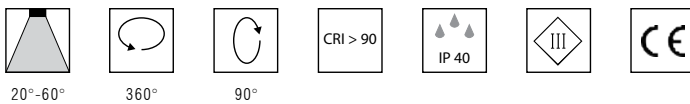
<i>Power absorption</i>	3.5 W
<i>LED Power absorption</i>	2.6 W
<i>Led color temperature</i>	3000K - 4000K - 5000K (2 SDCM) Other CCT are available on demand
<i>Color Rendering Index</i>	CRI > 90
<i>Protection grade</i>	IP40
<i>Fixing</i>	Magnetic
<i>Finishing</i>	Black/natural matte anodized
<i>Ta</i>	-20° ÷ 40° C

ELECTRICAL CHARACTERISTICS

<i>Input voltage</i>	24 VDC
<i>Power supply</i>	Not included
<i>PWM dimmable</i>	YES
<i>Individual dimming</i>	NO
<i>Safety class</i>	III

OPTICAL

<i>Beam</i>	Adjustable from 20° to 60°
<i>Flux lumineux</i>	250 Lumen (@ CCT 3000K)



CODE

System	Watt	CRI	Type	LED color temperature	Finishing *	Beam
HM4	03 3.5 Watt	9 CRI > 90	FOC	300 3000 K	A1 Black anodized	V from 20° to 60°
				400 4000 K	A3 Natural anodized	
				500 5000 K		

* Painted version available on demand

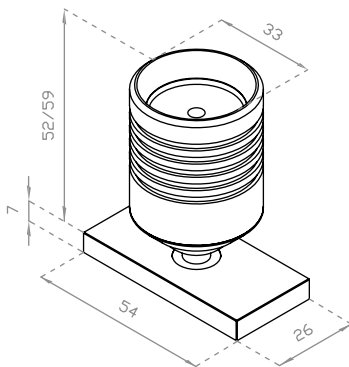
M412-S-2060 \ SPOT LED - 2W FOCAL 20° - 60°



GENERAL CHARACTERISTICS

<i>Power absorption</i>	5 W
<i>LED Power absorption</i>	3.8 W
<i>Led color temperature</i>	3000K - 4000K - 5000K (2 SDCM)
	Other CCT are available on demand
<i>Color Rendering Index</i>	CRI > 90
<i>Protection grade</i>	IP40
<i>Fixing</i>	Magnetic
<i>Finishing</i>	Black/natural matte anodized
<i>Ta</i>	-20° ÷ 40° C

DIMENSIONS (mm)

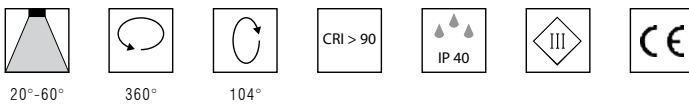


ELECTRICAL CHARACTERISTICS





<i>Input voltage</i>	24 VDC
<i>Power supply</i>	Not included
<i>PWM dimmable</i>	YES
<i>Individual dimming</i>	NO
<i>Safety class</i>	III

OPTICAL

<i>Beam</i>	Adjustable from 20° to 60°
<i>Flux lumineux</i>	340 Lumen (@ CCT 3000K)



CODE

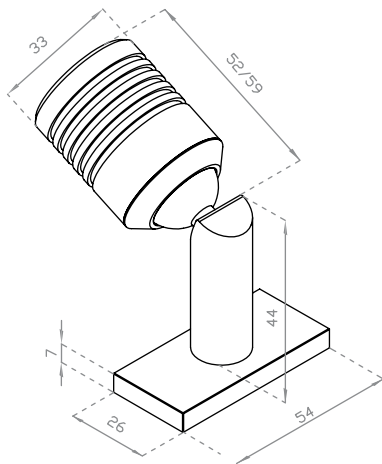
System	Watt	CRI	Type	LED color temperature	Finishing *	Beam	
HM4	05 5 Watt	9 CRI > 90	FOC	 300 3000 K	A1 Black anodized	 V from 20° to 60°	
				 400 4000 K			A3 Natural anodized
				 500 5000 K			

* Painted version available on demand

M412-90-2060 \ SPOT LED - 2W FOCAL 20°- 60° - BRACKET



DIMENSIONS (mm)



GENERAL CHARACTERISTICS

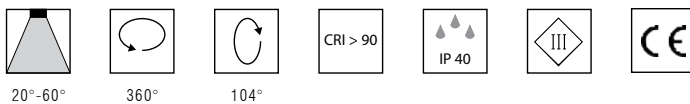
Power absorption	5 W
LED Power absorption	3.8 W
LED color temperature	3000K - 4000K - 5000K (2 SDCM) Other CCT are available on demand
Color Rendering Index	CRI > 90
Protection grade	IP40
Fixing	Magnetic
Finishing	Black/natural matte anodized
Ta	-20° ÷ 40° C

ELECTRICAL CHARACTERISTICS





Input voltage	24 VDC
Power supply	Not included
PWM dimmable	YES
Individual dimming	NO
Safety class	III

OPTICAL

Beam	Adjustable from 20° to 60°
Flux lumineux	340 Lumen (@ CCT 3000K)



CODE

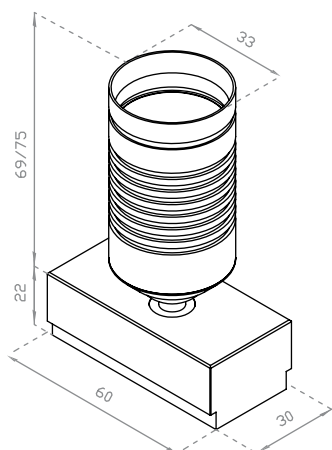
System	Watt	CRI	Type	LED color temperature	Finishing *	Beam
HM4	05 5 Watt	9 CRI > 90	FOS	 300 3000 K	A1 Black anodized	 V from 20° to 60°
				 400 4000 K	A3 Natural anodized	
				 500 5000 K		

* Painted version available on demand

M44-MEG-0820 \ SPOT LED - 4W FOCAL 8°- 20° - DIM



DIMENSIONS (mm)



8°-20°



360°



104°



CRI > 90



0-100%



IP 40



III



CE

GENERAL CHARACTERISTICS

Power absorption	5.5 W
LED Power absorption	4.6 W
LED color temperature	3000K - 4000K - 5000K (2 SDCM)
	Other CCT are available on demand
Color Rendering Index	CRI > 90
Protection grade	IP40
Fixing	Magnetic
Finishing	Black/natural matte anodized
Ta	-20° ÷ 40° C

ELECTRICAL CHARACTERISTICS

Input voltage	24 VDC
Power supply	Not included
PWM dimmable	NO
Individual dimming	YES
Safety class	III

OPTICAL

Beam	Adjustable from 8° to 20°
Flux lumineux	425 Lumen (@ CCT3000K)

CODE

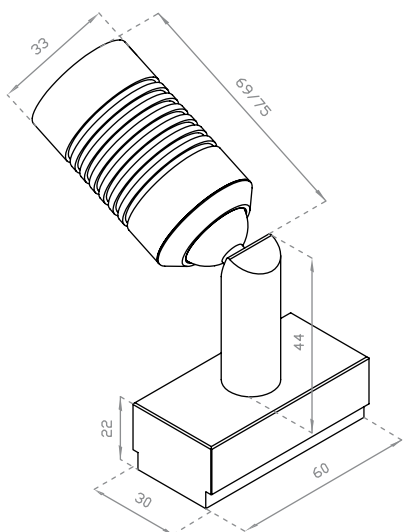
System	Watt	CRI	Type	LED color temperature	Finishing *	Beam	
HM4	05 5.5 Watt	9 CRI > 90	FOC	30D 3000 K	A1 Black anodized	S from 8° to 20°	
				40D 4000 K			A3 Natural anodized
				50D 5000 K			

* Painted version available on demand

M44-90-0820 \ SPOT LED - 4W FOCAL 8°- 20° - DIM - BRACKET



DIMENSIONS (mm)



GENERAL CHARACTERISTICS

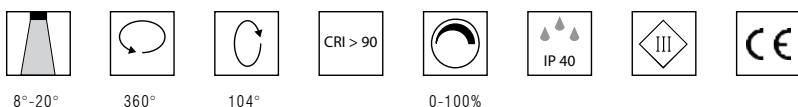
Power absorption	5.5 W
LED Power absorption	4.6 W
LED color temperature	3000K - 4000K - 5000K (2 SDCM) Other CCT are available on demand
Color Rendering Index	CRI > 90
Protection grade	IP40
Fixing	Magnetic
Finishing	Black/natural matte anodized
Ta	-20° ÷ 40° C

ELECTRICAL CHARACTERISTICS

Input voltage	24 VDC
Power supply	Not included
PWM dimmable	NO
Individual dimming	YES
Safety class	III

OPTICAL

Beam	Adjustable from 8° to 20°
Flux lumineux	425 Lumen (@ CCT 3000K)



CODE

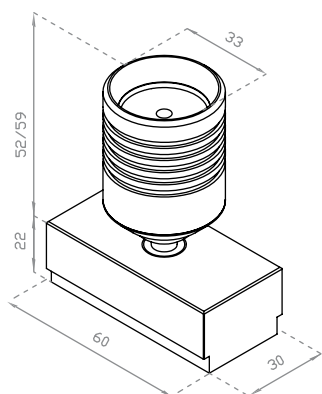
System	Watt	CRI	Type	LED color temperature	Finishing *	Beam	
HM4	05 5.5 Watt	9 CRI > 90	FOS	30D 3000 K	A1 Black anodized	S from 8° to 20°	
				40D 4000 K			A3 Natural anodized
				50D 5000 K			

* Painted version available on demand

M44-S-DIM-2060 \ SPOT LED - 4W FOCAL 20°- 60° - DIM



DIMENSIONS (mm)



GENERAL CHARACTERISTICS

Power absorption	6 W
LED Power absorption	5 W
LED color temperature	3000K - 4000K - 5000K (2 SDCM)
	Other CCT are available on demand
Color Rendering Index	CRI > 90
Protection grade	IP40
Fixing	Magnetic
Finishing	Black/natural matte anodized
Ta	-20° ÷ 40° C

ELECTRICAL CHARACTERISTICS

Input voltage	24 VDC
Power supply	Not included
PWM dimmable	NO
Individual dimming	YES
Safety class	III

OPTICAL

Beam	Adjustable from 20° to 60°
Flux lumineux	415 Lumen (@ CCT 3000K)



20°-60°



360°



104°



CRI > 90



0-100%



IP 40



III



CE

CODE

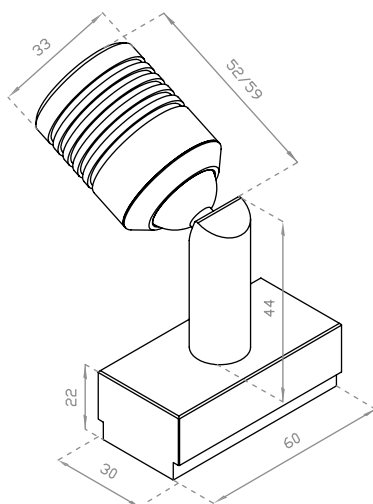
System	Watt	CRI	Type	LED color temperature	Finishing *	Beam
HM4	06 6 Watt	9 CRI > 90	FOC	30D 3000 K	A1 Black anodized	V from 20° to 60°
				40D 4000 K	A3 Natural anodized	
				50D 5000 K		

* Painted version available on demand

M44-90-DIM-2060 \ SPOT LED - 4W FOCAL 20°- 60° - DIM - BRACKET



DIMENSIONS (mm)



GENERAL CHARACTERISTICS

<i>Power absorption</i>	6 W
<i>LED Power absorption</i>	5 W
<i>LED color temperature</i>	3000K - 4000K - 5000K (2 SDCM) Other CCT are available on demand
<i>Color Rendering Index</i>	CRI > 90
<i>Protection grade</i>	IP40
<i>Fixing</i>	Magnetic
<i>Finishing</i>	Black/natural matte anodized
<i>Ta</i>	-20° ÷ 40° C

ELECTRICAL CHARACTERISTICS

<i>Input voltage</i>	24 VDC
<i>Power supply</i>	Not included
<i>PWM dimmable</i>	NO
<i>Individual dimming</i>	YES
<i>Safety class</i>	III

OPTICAL

<i>Beam</i>	Adjustable from 20° to 60°
<i>Flux lumineux</i>	415 Lumen (@ CCT 3000K)



20°-60°



360°



104°



CRI > 90



0-100%



IP 40







III



CE

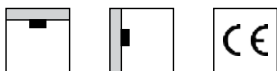
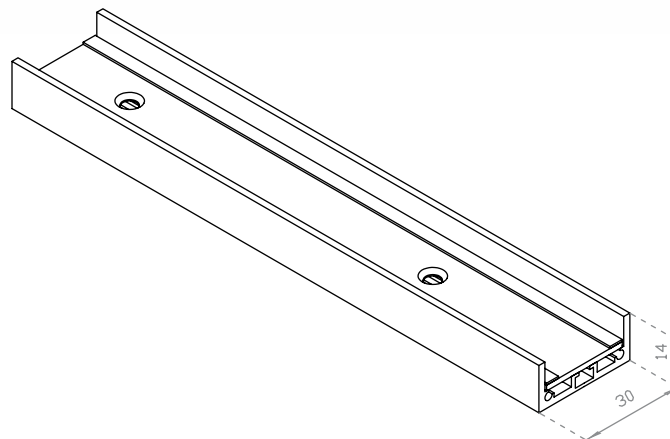
CODE

System	Watt	CRI	Type	LED color temperature	Finishing *	Beam	
HM4	06 6 Watt	9 CRI > 90	FOS	 30D 3000 K	A1 Black anodized	 V from 20° to 60°	
				 40D 4000 K			A3 Natural anodized
				 50D 5000 K			

* Painted version available on demand



M4-R \ TRACK 24VDC



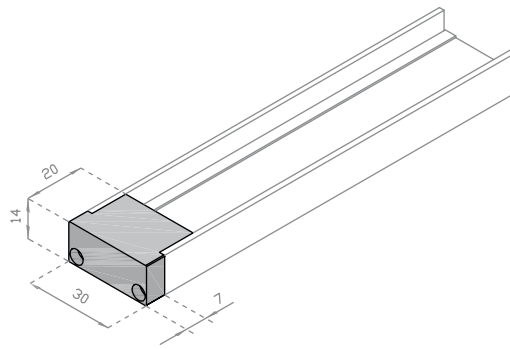
CODE

	System	Watt	Length	Input voltage	Finishing* / IP	L Cable	
TRACK WITH POWER CORD	HM4	000	1000 <i>L=1,00m</i>	24 <i>24 VDC</i>	A1 <i>Black anodized</i>	0 <i>Without cable</i>	
			2000 <i>L=2,00m</i>			A3 <i>Natural anodized</i>	1 <i>Cable L=1,0m</i>
							2 <i>Cable L=2,0m</i>
POWER SUPPLY	MAL	030 <i>30 Watt</i>	0000	24 <i>24 VDC</i>	64 <i>IP 64</i>	Z <i>Not dimmable</i>	
		060 <i>60 Watt</i>					
		100 <i>100 Watt</i>					

The track does not have holes for ceiling installation.

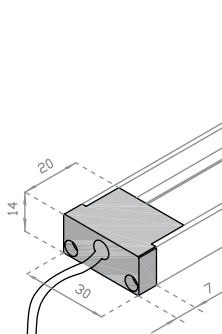
* Painted version available on demand

M4-F \ End cap

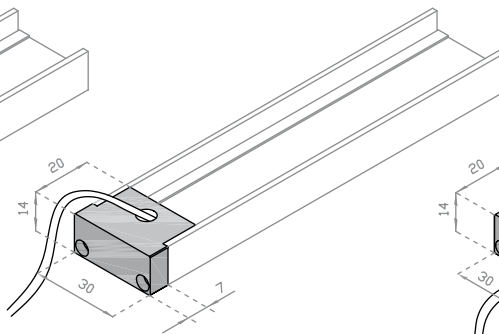


CODE

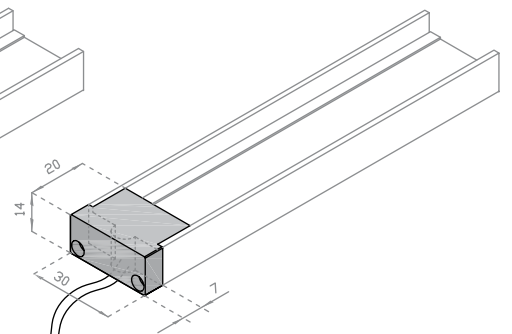
	System		Accessory	Model	Finishing *	
END CAP	HM4	000	TAP End cap	000 End cap without hole	A1 Black anodized A3 Natural anodized	0



001
Side Hole



002
Hole on the top



003
Hole on the back

CODE

	System		Accessory	Model	Finishing *	
END CAP WITH HOLE FOR POWER CORD	HM4	000	TAP End cap	001 Side hole	A1 Black anodized	0
				002 Hole on the top	A3 Natural anodized	
				003 Hole on the back		

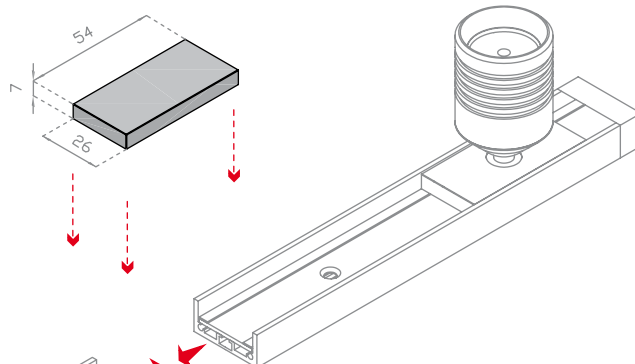
* Painted version available on demand



M4-BRIDGE \ Linear Bridge

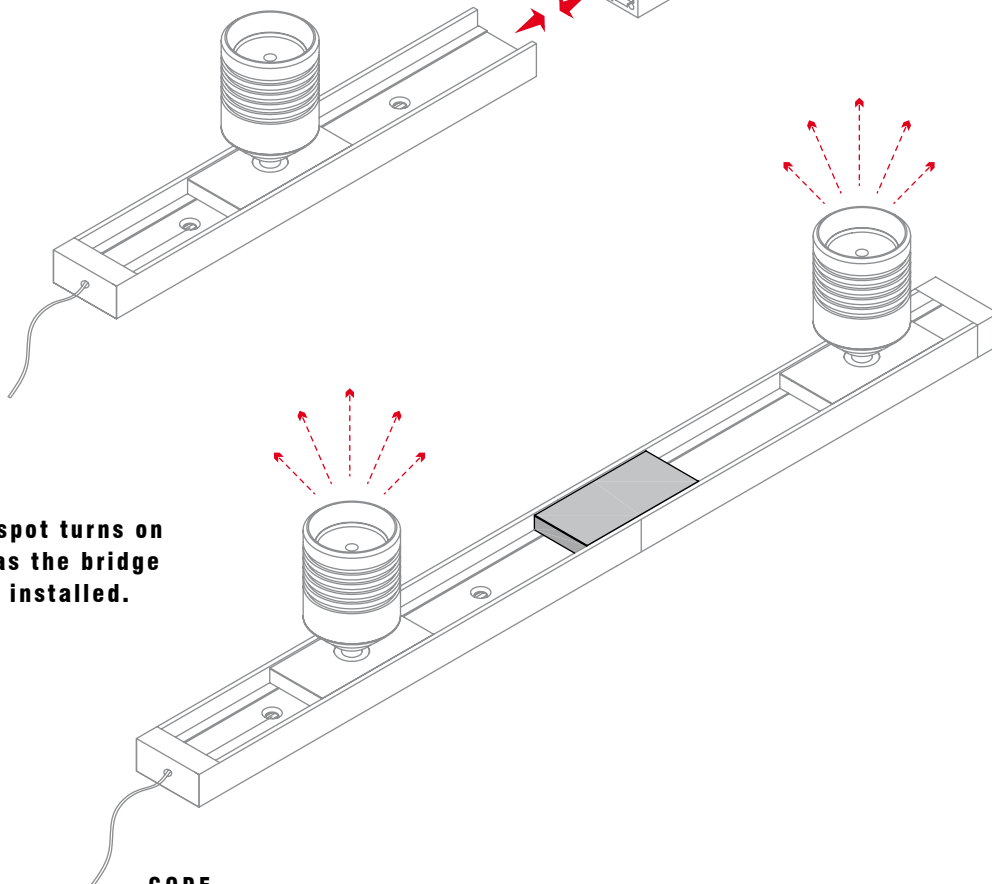
1

The tracks with a single power source shall be installed one after the other.



2

The LED spot turns on as soon as the bridge has been installed.



CODE

System		Accessory	Finishing *	
HM4	000 <i>Linear</i>	BRIDGE <i>Electrical bridge</i>	A1 <i>Black anodized</i>	0
			A3 <i>Natural anodized</i>	

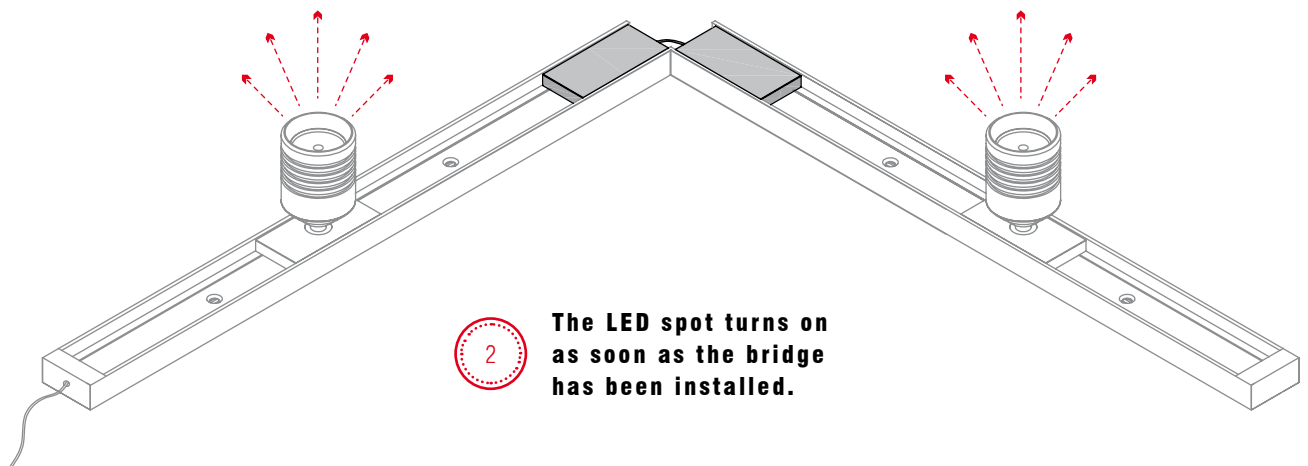
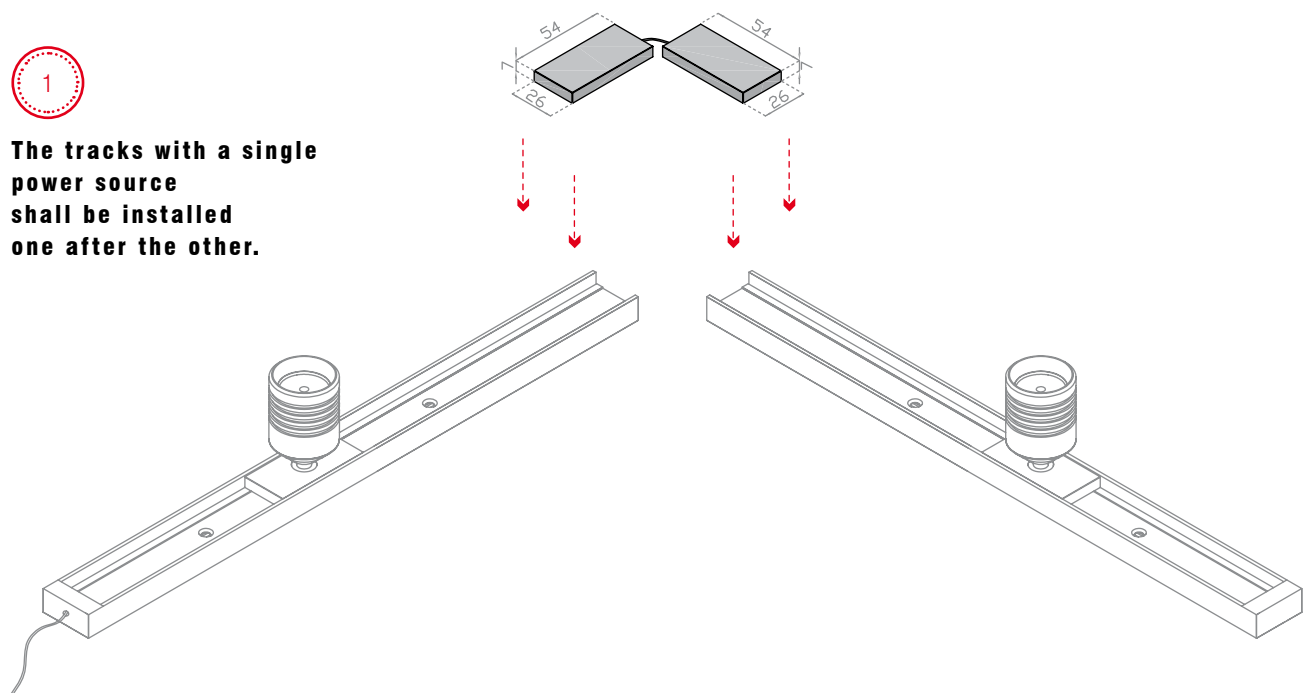
LINEAR BRIDGE

* Painted version available on demand

M4-BRIDGE-90 \ Elbow Bridge

1

The tracks with a single power source shall be installed one after the other.



2

The LED spot turns on as soon as the bridge has been installed.

CODE

System		Accessory	Finishing *	
ANGLE BRIDGE	HM4	ANG Angle	BRIDGE Electrical bridge	A1 Black anodized
			A3 Natural anodized	0

* Painted version available on demand

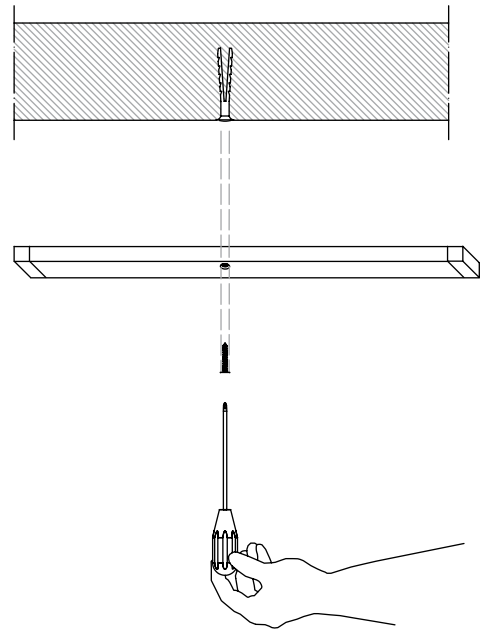
CELLING MOUNTING



You shall pierce using a drill in the position of the holes (Ø 3.5mm) made on the band.

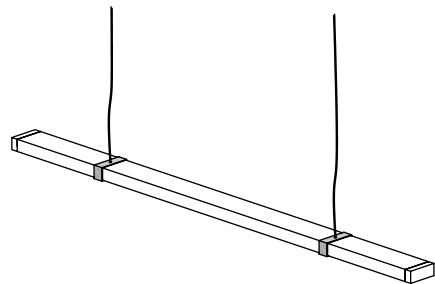
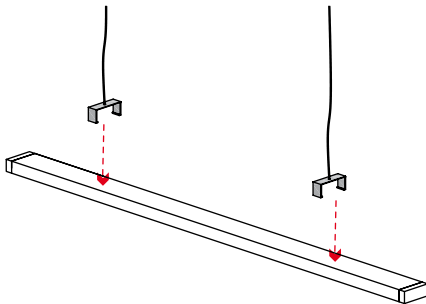


The spots are magnetic and can be put on the track in the desired position without any polarity issue.

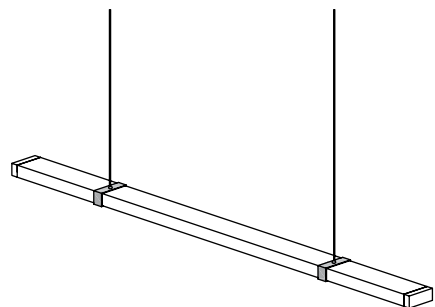
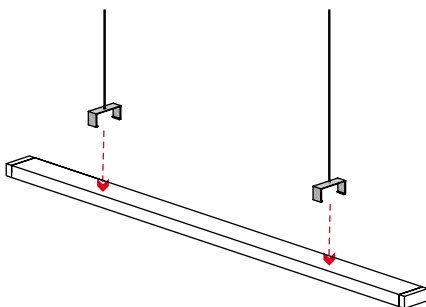


MOUNTING WITH SUSPENSION

SYSTEM WITH REAR CLIP AND CABLES L=2.0 METERS



SYSTEM WITH REAR CLIP AND STEM





STEM LED

MS-M4-MIX \ LED CRICKET



GENERAL CHARACTERISTICS

Power absorption	4 W
LED Power absorption	3 W
Led color temperature	3000K - 4000K - 5000K (3 SDCM) Other CCT are available on demand
Color Rendering Index	CRI > 90
Protection grade	IP40
Fixing	Magnetic
Finishing	Black/natural matte anodized
Ta	-20° ÷ 40° C

ELECTRICAL CHARACTERISTICS

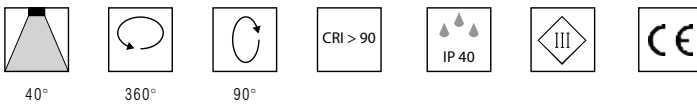
Input voltage	24 VDC
Power supply	Not included
PWM dimmable	YES
Safety class	III

OPTICAL





Beam	40°
Flux lumineux	230 Lumen (@ CCT 3000K)

DIMENSIONS (mm)

Dimensions HxL	240x60 mm
----------------	-----------



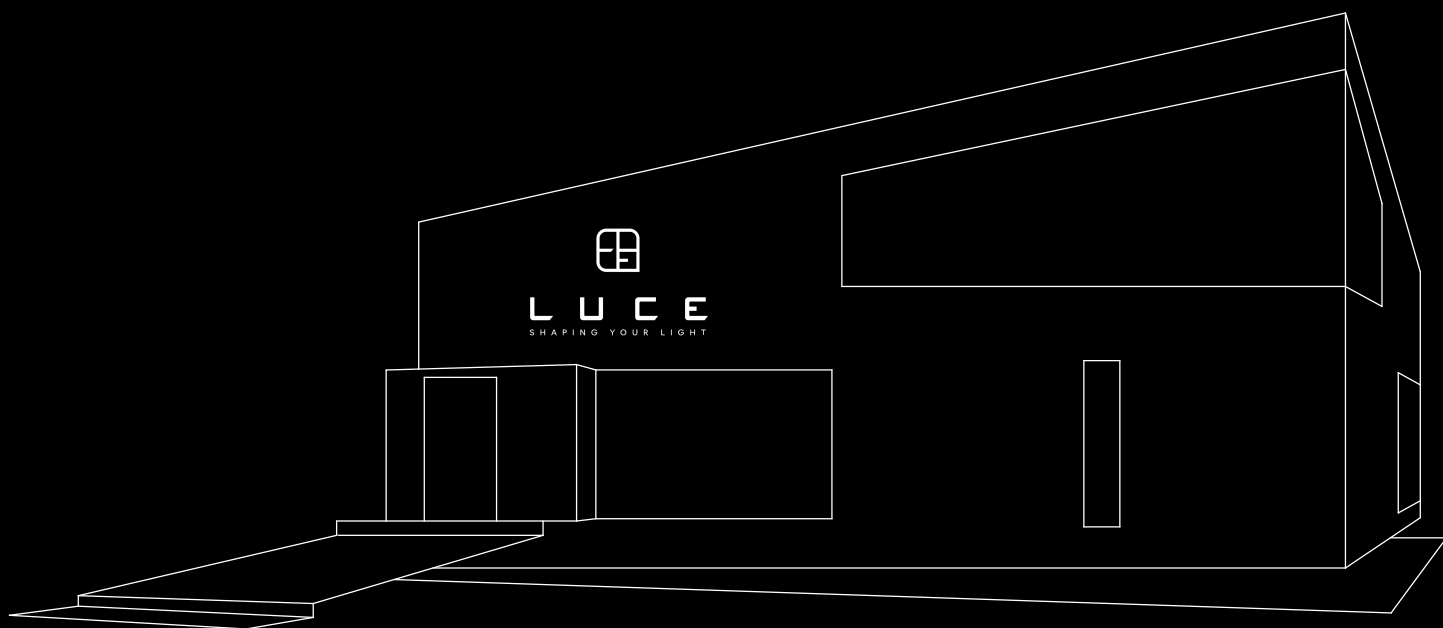
CODE

System	N° LED	Height	LED color temperature	Finishing *	Beam
HMC	3X1 3 Led	024 H=240 mm	 300 3000 K  400 4000 K  500 5000 K	S1 Sanded black matte anodized S3 Sanded natural matte anodized	 4 40°

* Sanded with glass microspheres and matte anodized.

Painted version available on demand





The pictures of the products installed have been realized and published in the catalogue thanks to the availability of the back stage areas and to the owners authorization and approval.
Many thanks to all the people who have given their authorization and approval for the utilization of the pictures.

Reproduction prohibited.

LUCE-ms reserves the right to change and modify the products without notice.