



LUCE
SHAPING YOUR LIGHT

MAGNETIC V

*SOME LIGHTS ARE SMART
WHILE THE OTHERS ARE ONLY LIGHTS.*

MAGNETIC 5

MAGNETIC 5 is a flexible and versatile system that makes a change in the way to manage light.

It consists of an aluminum track and a range of LED spots.

The track is available in various length and colors, it can also be recessed and adapted on site to the desired measure.

The spots are magnetic and can be put on the track in the desired position, without the need of any device.

They are available in three different colors temperature:

warm white, natural white, cold white.

Thanks to the availability of different powers and the DMX controls,

the system MAGNETIC 5 gives the best light for many uses

and offers a wide range of applications as lighting of showcases and shelves in shops,

in jewelries as well as museums, exhibitions and art galleries.

MAGNETO V

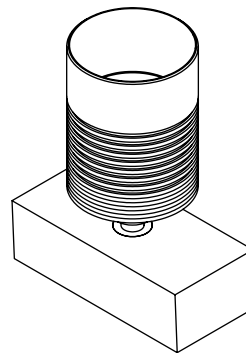


THE SYSTEM IS FLEXIBLE
AND AVAILABLE BY MODULES.

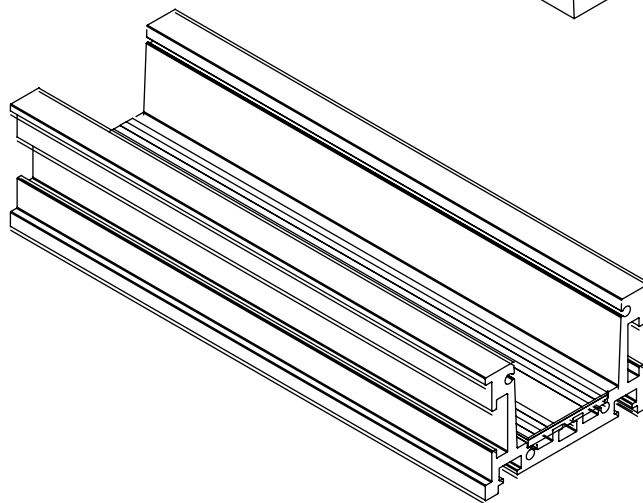
This product line includes a range of products with an easy installation facilitated by a magnetic base.

Magnetic 5 – 24 Volt is the technological evolution of the Magneto IV line thanks to the adoption of the latest generation LED with a color rendering index >90 .

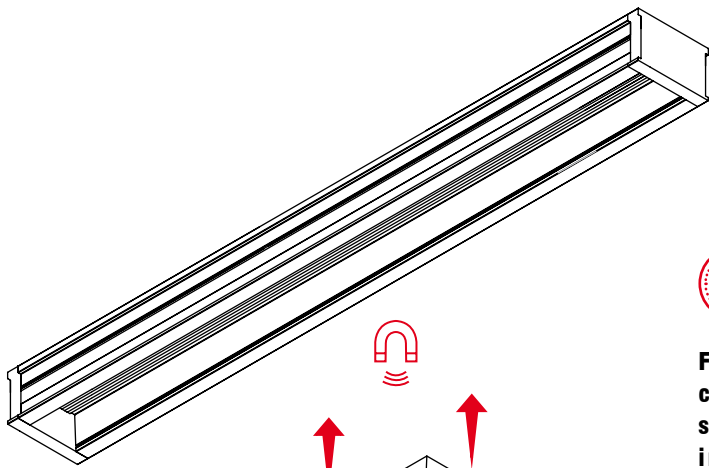
All the spots are focusable and some of them – those with much power – are offered with a dimmer in order to have the desired light intensity.



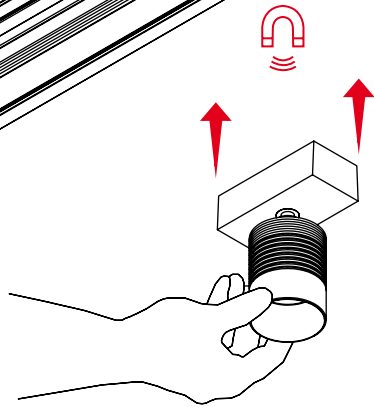
**SPOT
LED**



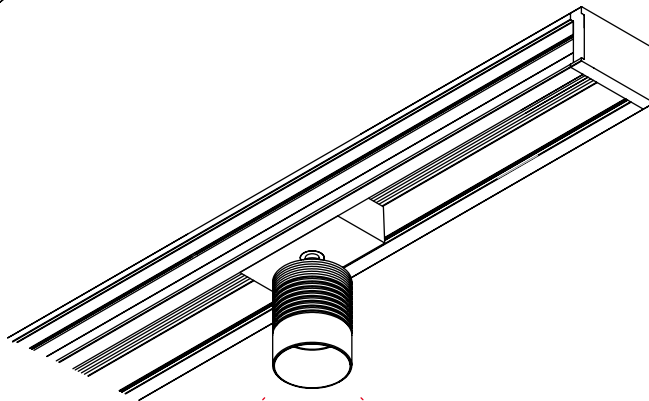
**ALUMINUM
TRACK**



1

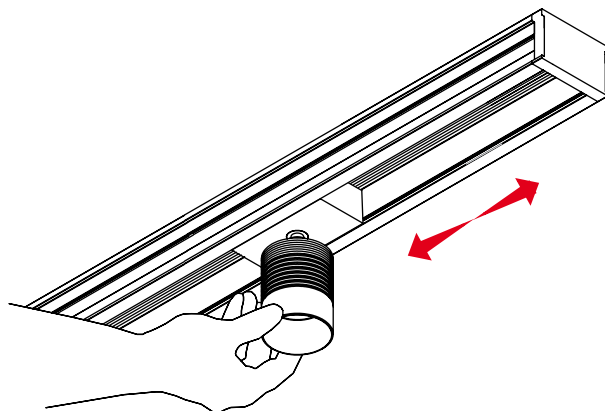


First step is to mount and connect the track. Then the spots and the LED lights are installed magnetically, without the need of a specific device.



2

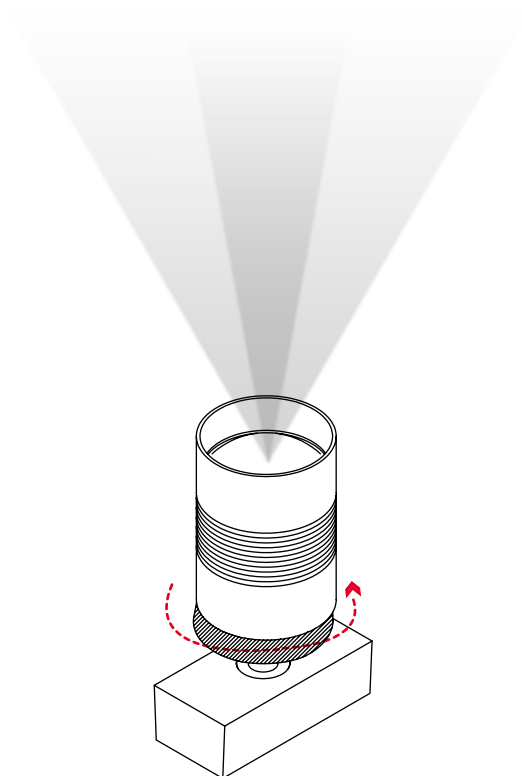
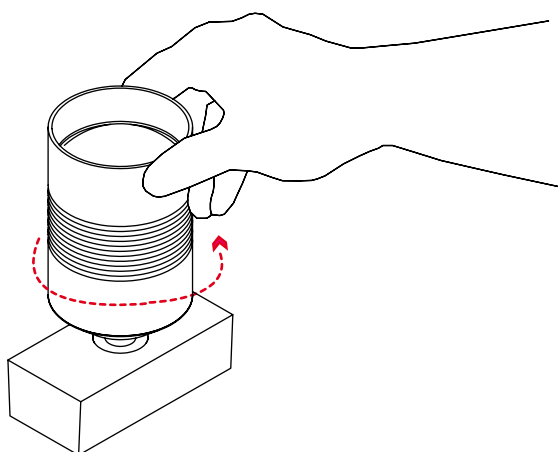
The LED turns on as soon as installed on the track and it can be put in the desired position by sliding it over the track.



SPOT FOCALIZATION SYSTEM

The spot optics can be changed by a simple rotation of the spot aluminum body.

1 Rotate the spot body



2 Change from wide to narrow beam



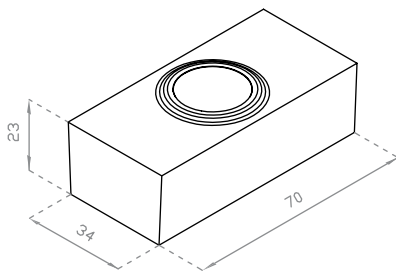
20°-60°



M5-PUNTO \ POINT LED - 4W



DIMENSIONS (mm)



GENERAL CHARACTERISTICS

Power absorption	5 W
LED power absorption	3.8 W
Led color temperature	3000K - 4000K - 5000K (2 SDCM) Other CCT are available on demand
Color Rendering Index	CRI > 90
Protection grade	IP40
Fixing	Magnetic
Finishing	Black/natural matte anodized
Ta	-20° ÷ 40° C

ELECTRICAL CHARACTERISTICS

Input voltage	24 VDC
Power supply	Not included
PWM dimmable	YES
Individual dimming	NO
Safety class	III

OPTICAL

Beam	115° (no lens)
Led Lumen output	380 Lumen (@ CCT 3000K)



115°



CRI > 90



IP 40







III



CE

CODE

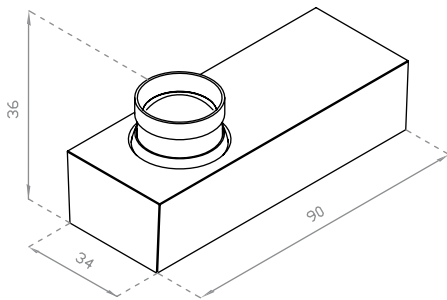
System	Watt	CRI	Type	LED color temperature	Finishing *	Beam	
HM5	05 5 Watt	9 CRI > 90	PUN	 300 3000 K	A1 Black anodized	 0 115°	
				 400 4000 K			A3 Natural anodized
				 500 5000 K			

* Painted version available on demand

M5-PUNTO-O \ POINT LED - 4W FOCAL 20°-60°



DIMENSIONS (mm)



GENERAL CHARACTERISTICS

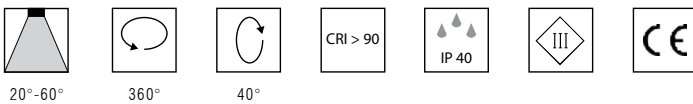
Power absorption	5 W
LED power absorption	3.8 W
LED color temperature	3000K - 4000K - 5000K (2 SDCM) Other CCT are available on demand
Color Rendering Index	CRI > 90
Protection grade	IP40
Fixing	Magnetic
Finishing	Black/natural matte anodized
Ta	-20° ÷ 40° C

ELECTRICAL CHARACTERISTICS

Input voltage	24 VDC
Power supply	Not included
PWM dimmable	YES
Individual dimming	NO
Safety class	III

OPTICAL

Beam	Adjustable from 20° to 60°
Led Lumen output	340 Lumen (@ CCT 3000K)



CODE

System	Watt	CRI	Type	LED color temperature	Finishing *	Beam	
HM5	05 5 Watt	9 CRI > 90	FOC	300 3000 K	A1 Black anodized	V from 20° to 60°	
				400 4000 K			A3 Natural anodized
				500 5000 K			

* Painted version available on demand

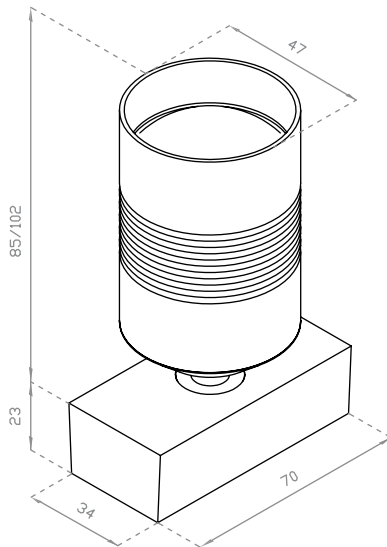
M5-ROX-2060 \ SPOT LED - 6W FOCAL 20°-60°



GENERAL CHARACTERISTICS

<i>Power absorption</i>	7 W
<i>LED power absorption</i>	5 W
<i>Led color temperature</i>	3000K - 4000K - 5000K (2 SDCM) Other CCT are available on demand
<i>Color Rendering Index</i>	CRI > 90
<i>Protection grade</i>	IP40
<i>Fixing</i>	Magnetic
<i>Finishing</i>	Black/natural matte anodized
<i>Ta</i>	-20° ÷ 40° C

DIMENSIONS (mm)

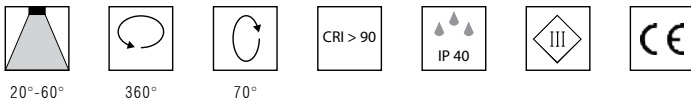


ELECTRICAL CHARACTERISTICS

<i>Input voltage</i>	24 VDC
<i>Power supply</i>	Not included
<i>PWM dimmable</i>	YES
<i>Individual dimming</i>	NO
<i>Safety class</i>	III

OPTICAL

<i>Beam</i>	Adjustable from 20° to 60°
<i>Led Lumen output</i>	490 Lumen (@ CCT 3000K)



CODE

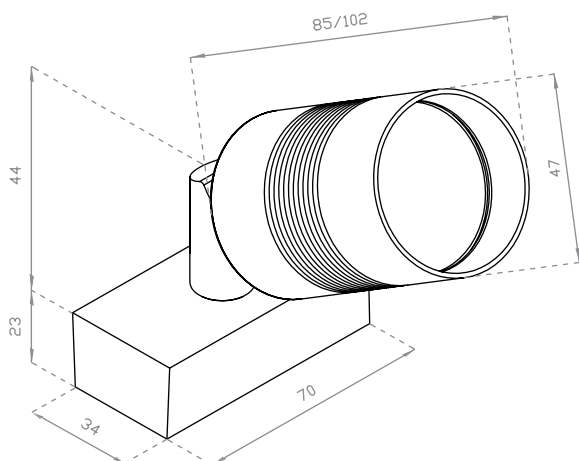
System	Watt	CRI	Type	LED color temperature	Finishing *	Beam
HM5	07 7 Watt	9 CRI > 90	FOC	300 3000 K	A1 Black anodized	V from 20° to 60°
				400 4000 K	A3 Natural anodized	
				500 5000 K		

* Painted version available on demand

M5-90-2060 \ SPOT LED - 6W FOCAL 20°- 60° - BRACKET



DIMENSIONS (mm)



GENERAL CHARACTERISTICS

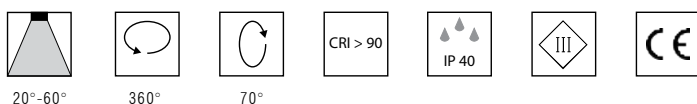
<i>Power absorption</i>	7 W
<i>LED power absorption</i>	5 W
<i>Led color temperature</i>	3000K - 4000K - 5000K (2 SDCM) Other CCT are available on demand
<i>Color Rendering Index</i>	CRI > 90
<i>Protection grade</i>	IP40
<i>Fixing</i>	Magnetic
<i>Finishing</i>	Black/natural matte anodized
<i>Ta</i>	-20° ÷ 40° C

ELECTRICAL CHARACTERISTICS

<i>Input voltage</i>	24 VDC
<i>Power supply</i>	Not included
<i>PWM dimmable</i>	YES
<i>Individual dimming</i>	NO
<i>Safety class</i>	III

OPTICAL

<i>Beam</i>	Adjustable from 20° to 60°
<i>Led Lumen output</i>	490 Lumen (@ CCT 3000K)

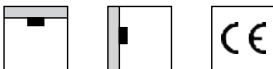
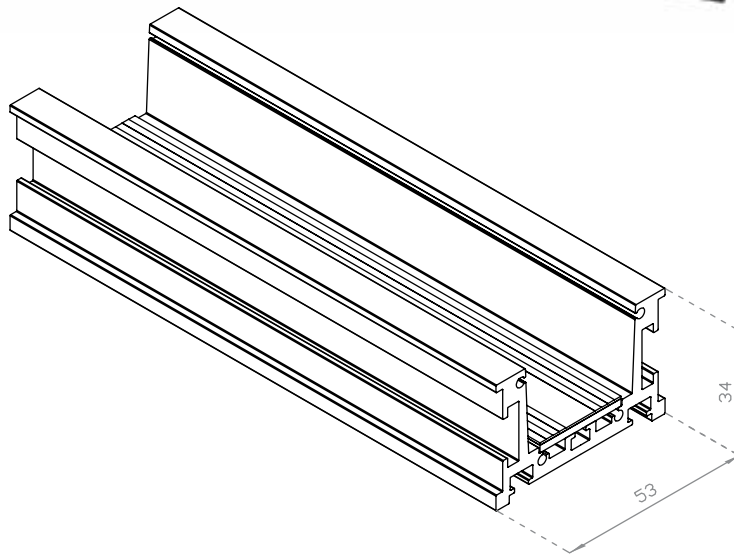


CODE

System	Watt	CRI	Type	LED color temperature	Finishing *	Beam	
HM5	07 7 Watt	9 CRI > 90	FOS	300 3000 K	A1 Black anodized	V from 20° to 60°	
				400 4000 K			A3 Natural anodized
				500 5000 K			

* Painted version available on demand

M5-R \ TRACK - 24VDC



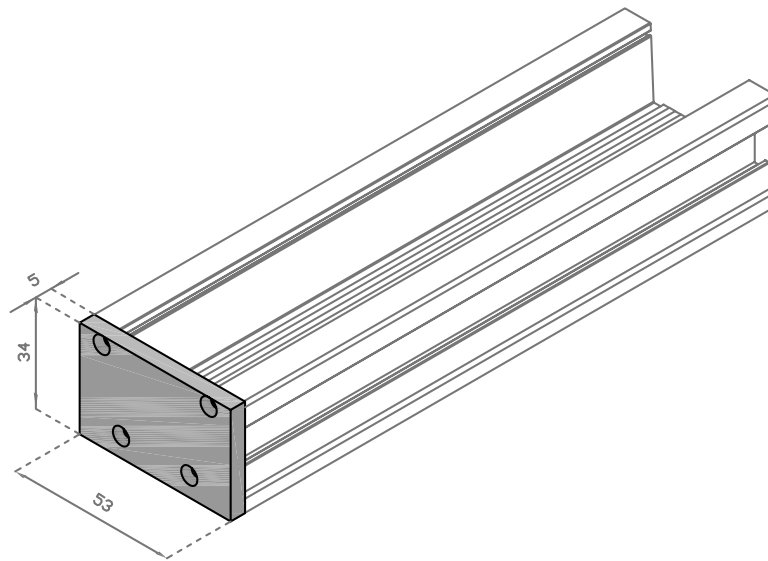
CODE

	System	Watt	Length	Input voltage	Finishing* / IP	L Cable
TRACK WITH POWER CORD	HM5	000	1000 <i>L=1,00m</i>	24 <i>24 VDC</i>	A1 <i>Black anodized</i>	0 <i>Without cable</i>
			2000 <i>L=2,00m</i>		A3 <i>Natural anodized</i>	1 <i>Cable L=1,0m</i>
						2 <i>Cable L=2,0m</i>
POWER SUPPLY	MAL	030 <i>30 Watt</i>	0000	24 <i>24 VDC</i>	64 <i>IP 64</i>	Z <i>Not dimmable</i>
		060 <i>60 Watt</i>				
		100 <i>100 Watt</i>				

The track does not have holes for ceiling installation

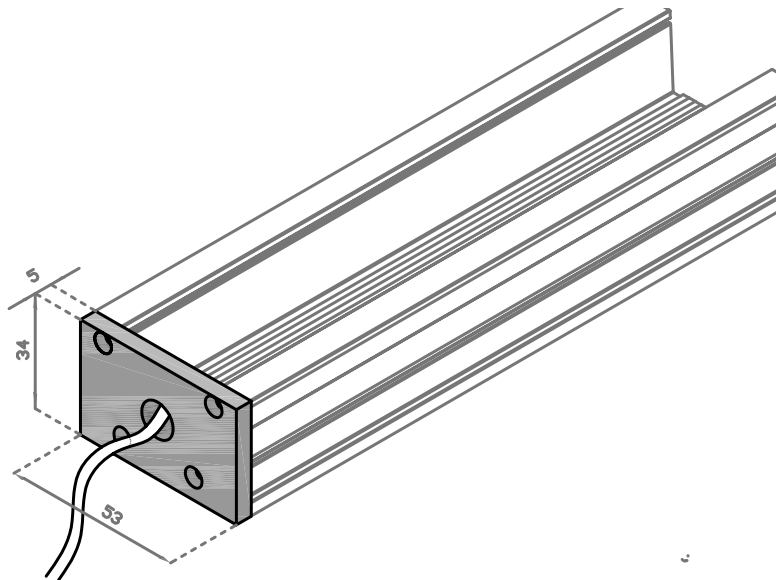
* Painted version available on demand

M5-F \ End cap



CODE

	System		Accessory	Model	Finishing*	
END CAP	HM5	000	TAP <i>End cap</i>	000 <i>End cap without hole</i>	A1 <i>Black anodized</i>	0
					A3 <i>Natural anodized</i>	



CODE

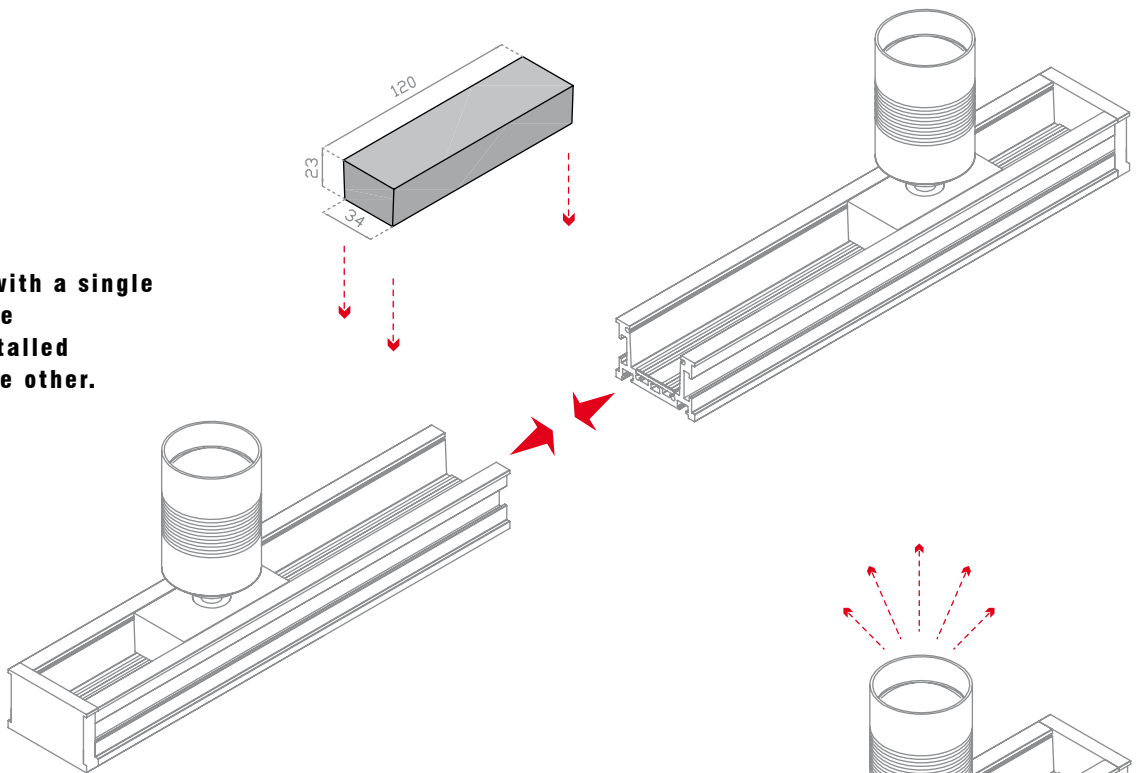
	System		Accessory	Model	Finishing*	
END CAP WITH HOLE FOR POWER CORD	HM5	000	TAP <i>End cap</i>	001 <i>Side hole</i>	A1 <i>Black anodized</i>	0
					A3 <i>Natural anodized</i>	

* Painted version available on demand

M5-BRIDGE \ Linear Bridge

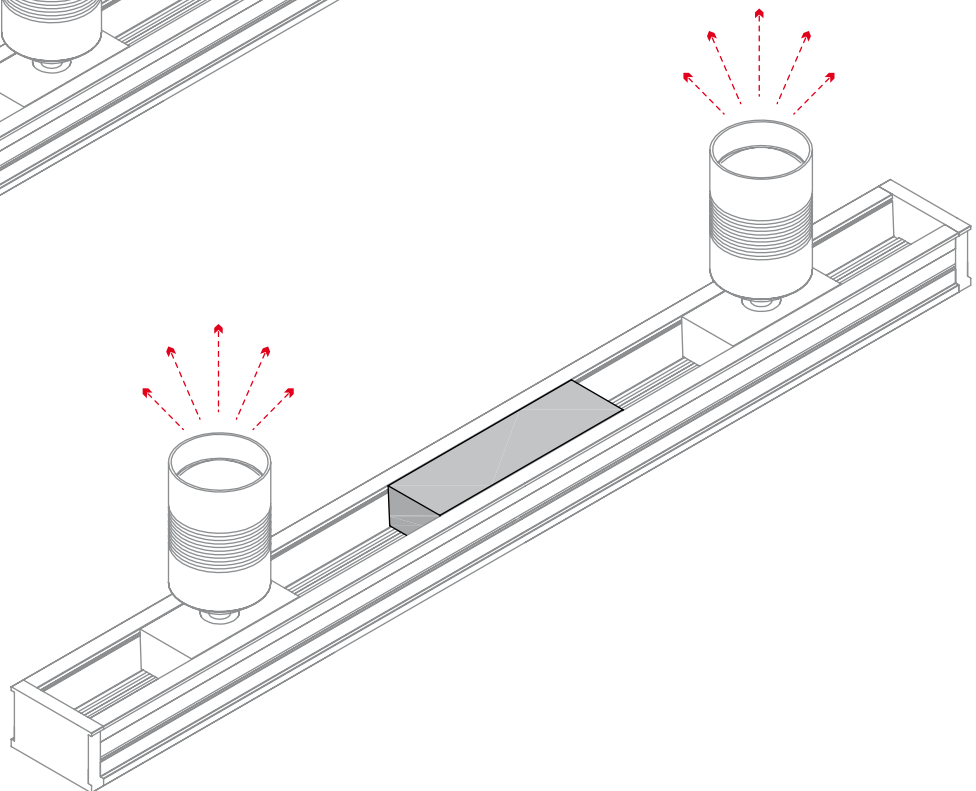
1

The tracks with a single power source shall be installed one after the other.



2

The LED spot turns on as soon as the bridged has been installed.



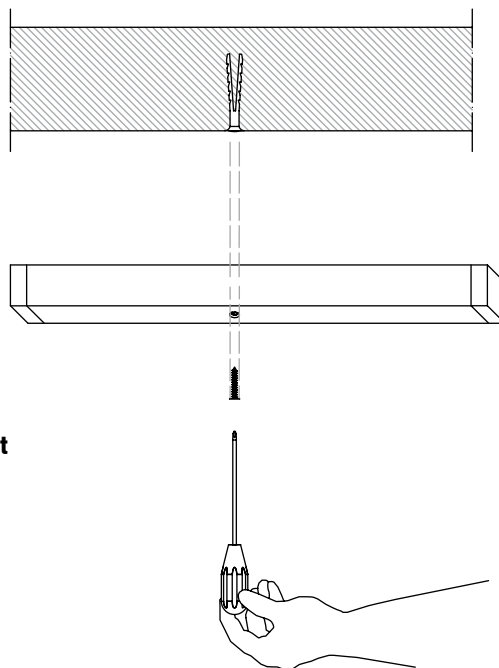
CODE

System		Accessory	Finishing*	
HM5	000 <i>Linear</i>	BRIDGE <i>Electrical bridge</i>	A1 <i>Black anodized</i>	0
			A3 <i>Natural anodized</i>	

* Painted version available on demand

CELLING MOUNTING

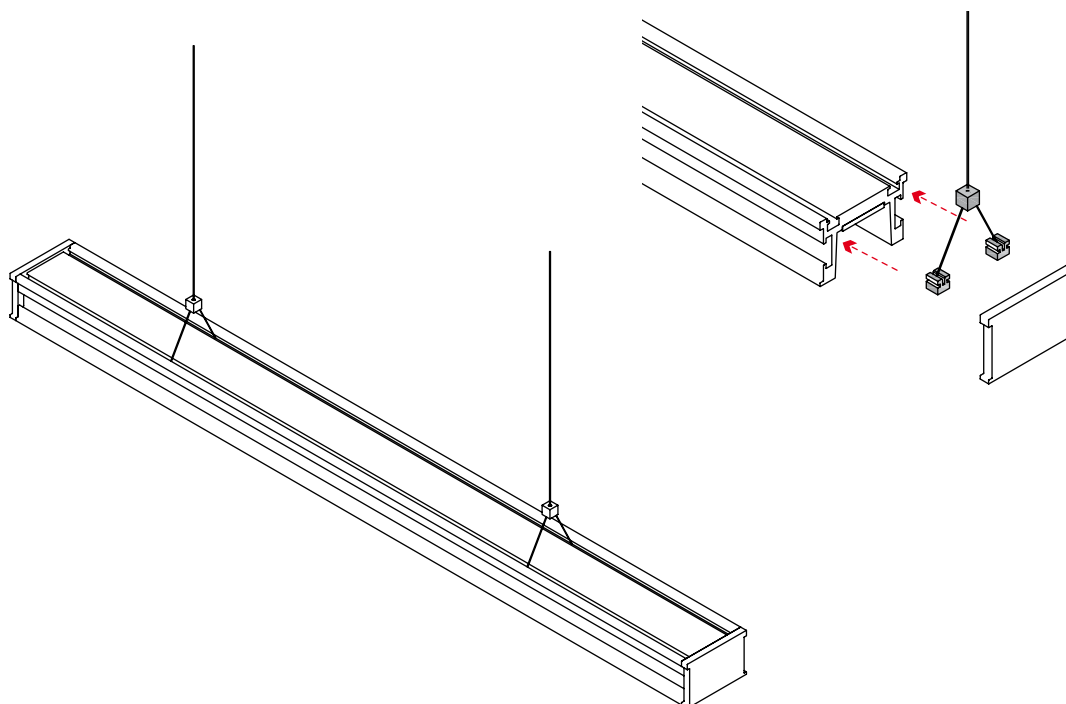
1 Make a hole using a drill aligned with the holes (Ø 6mm) made on the track.

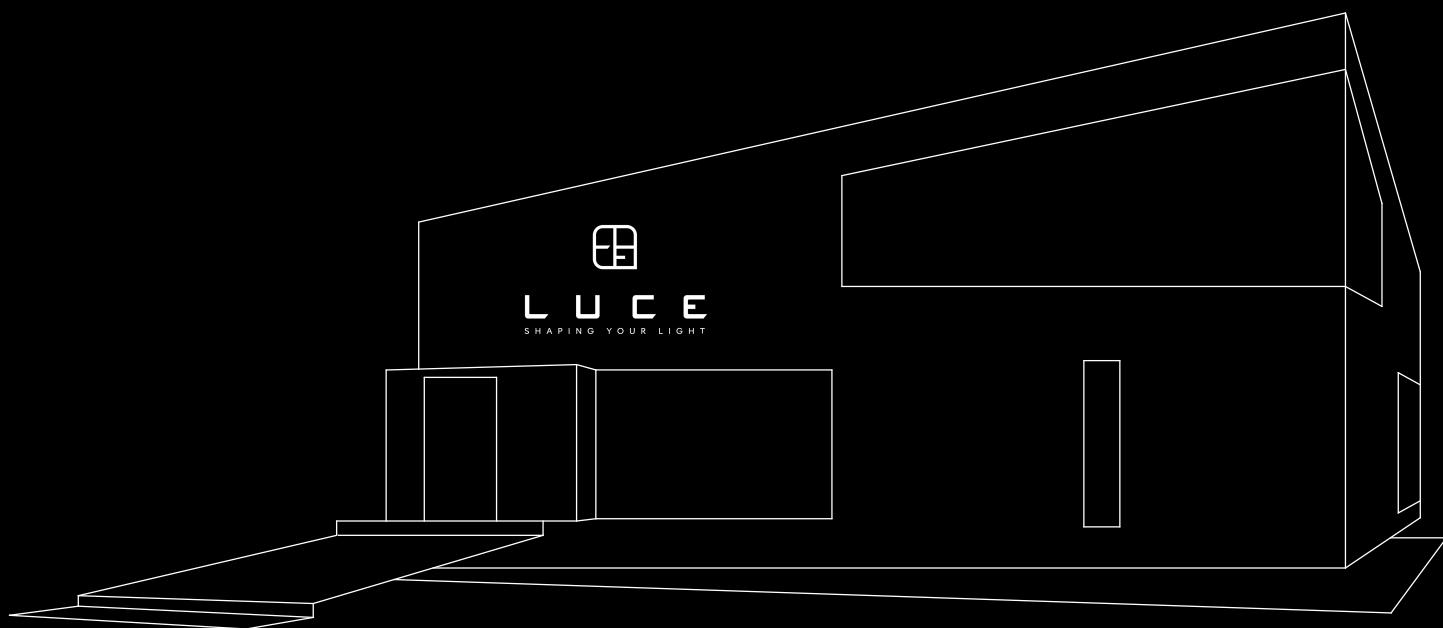


2 The spots are magnetic and can be put on the track in the desired position without any polarity issue.

MOUNTING WITH SUSPENSION

SYSTEM WITH REAR CLIP AND CABLES L=2.0 METERS





The pictures of the products installed have been realized and published in the catalogue thanks to the availability of the back stage areas and to the owners authorization and approval.
Many thanks to all the people who have given their authorization and approval for the utilization of the pictures.

Reproduction prohibited.

LUCE-ms reserves the right to change and modify the products without notice.